

# Specification Sheet

# Stainless Steel Precision Meter

*NPT Male Ends*



**Sizes: 1/2", 3/4", 1", 1 1/2", 2"**

## Description

**Operation.** The stainless steel Precision Meter is an inferential turbine type flow meter with a rotor. The fluid passes through the meter without a change in direction driving the rotor in direct proportion to the quantity of fluid passing through the meter.

**Installation.** This meter, like all turbine type meters, requires installation in a horizontal pipeline with 10 pipe diameters ahead and 5 after the meter of straight pipe the same size as the meter. A full pipe of fluid is also required.

**Construction.** The meter body, shaft and supports are 316 stainless steel with a stainless steel rotor. The sleeve bearings are PTFE and the thrust bearings are acetal. A magnetic pickup is actuated by the rotor, which transfers a specific K factor to one of three output devices: two wire pickup, pre-amplifier, or blind 4-20 mA output.

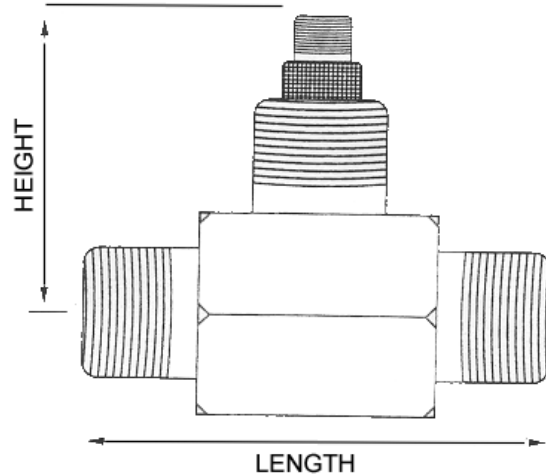
**Applications.** Refer to the chemical compatibility chart.

## Specifications

Design Type	Turbine	
Accuracy	± 0.5% of reading	
Repeatability	± 0.1%	
Temperature	-100°F to +185°F	
Working Pressure	5000 PSI	
Flow Range	1/2"	0.6 to 6.0 GPM
	3/4"	2.3 to 23.0 GPM
	1"	6.7 to 67.0 GPM
	1 1/2"	17.7 to 177 GPM
	2"	33.0 to 330 GPM
<b>Material</b>		
Body	316 Stainless Steel	
Shaft & Supports	316 Stainless Steel	
Rotor	CD4MCu Stainless Steel	
Sleeve Bearings	PTFE	
Thrust Bearings	Acetal	
<b>Typical K Factor</b>	1/2"	10000
	3/4"	2608
	1"	896
	1 1/2"	340
	2"	181
<b>Frequency Output</b>	1/2"	125-1000 Hz
	3/4"	100-1000 Hz
	1"	100-1000 Hz
	1 1/2"	100-1000 Hz
	2"	100-1000 Hz
<b>Available with:</b>	Two Wire Magnetic Pickup Pre-amplifier/MS-Connector Cable Assembly. Blind 4-20mA Output	

**Dimensions: NPT Male Ends - Inches**

Size	Length (mm)	Height (mm)	Weight (lbs)
1/2"	2.75 (70)	2.56 (65)	1.070
3/4"	3.25 (82)	2.62 (66)	1.845
1"	3.56 (90)	2.75 (70)	1.805
1 1/2"	4.59 (116)	3.00 (76)	3.480
2"	6.06 (154)	3.25 (82)	5.460



**Maintenance**

Rotor Kits are available for field installation. Meters do not need to be returned to AMCO for repair of the rotor assembly.

Chemical Compatibility Chart is also available for this meter.

**Output Options**

1. The Blind 4-20mA output option consists of the following components attached to the meter: Wire lead magnetic pickup and 4-20mA-output module. 11.6 to 40V DC power required.
2. The pickup and cable assembly option is for individuals who can supply sine wave frequency signal from the magnetic pickup directly into their own display, computer, PLC, SCADA system, etc. The options consist of: Standard magnetic pickup, Connector, 10ft weather proof cable.
3. The pickup with pre-amp option provides a stronger signal less susceptible to interference from external electromagnetic energy. The pre-amp output is a square wave signal from 9-30 VDC depending on supply voltage. The signal is compatible with assortments of indicators, displays and controls that the user may wish to use. The option consists of:  
Wire lead magnetic pickup, pre-amp module threaded to the top of the meter.

**Connections**

Fittings are MNPT for the size of the meter. Connectors are not included.



Distributed by:

[www.watermeters.com](http://www.watermeters.com)

The company's policy is one of continuous product improvement and the right is reserved to modify the specifications contained herein without notice. These products have been manufactured with current technology and in accordance with applicable AWWA Standards.

© 2004 AMCO Water Metering Systems Inc. All rights reserved.

**Daniel L. Jerman Co.**  
275 Railroad Place  
Hackensack, NJ 07601  
Phone 800.654.3733  
Fax 201.487.3953  
International Phone  
201.487.7444