

# Specification Sheet

# Industrial Pulsers for C700

Positive Displacement  
Cold Water Meters



## Description

### Type "B"/"BI"

The unit requires power from an external source. The "B"/"BI" pulser is identical in appearance to the Type "A", however, the "B"/"BI" unit is labeled (i.e., 5/8" "B" or "BI" Pulser N/O OR N/C). The pulser can be set up as a normally open contact or a normally closed contact, depending on your application. Please specify on order entry. The unit can provide contact closures to 3 amp @ 125 VAC max, depending on the power supplied. The pulser is suitable for use with remote counters, batch controllers or appropriate data collection devices. NOTE: This unit is normally wired in series.

Contact closure rates are:

Size	USG	Cu Ft	m3
1/2" - 1"	1 cont/gal	10 cont/cu ft	1 cont/litre
1 1/2" - 2"	1 cont/10 gal	1 cont/cu ft	1 cont/10 litre

Note: "B" is for C700 polymer all sizes and 1 1/2" & 2" C700. "BI" is for C700 bronze 5/8" x 1/2" thru 1".

### Type "SF"

Adds a high frequency output capability to a Standard C700 Register (retains register readability). Output is an open collector current sink (NPN) (20vma max.) magnetically actuated to provide a 50/50 open/closed ratio.

**NOTE:** This unit requires power from an external source, as follows — supply voltage 6-24 VDC; supply current 13.5 mA (max.)(3-wire).

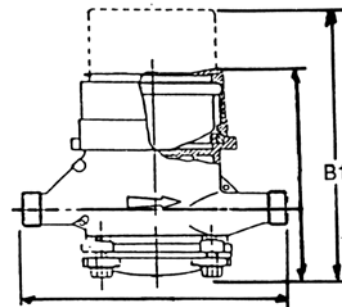
Sizes 1/2" - 2"

## Specifications

Pulsar Can	90% Copper Alloy
Pulsar Lens Cover	Polycarbonate
Terminal Cover	Polypropylene
Terminal Screws	Brass
Pulsar Housing	Reinforced Acetal Copolymer or Brass
Seal or Locking Screw	Stainless Steel
Seal Nut	Brass
Pulsar Support Ring	ABS
Type A Generator	Self-powered
Type B Limit Switch	Rated at 3 Amps

## DIMENSIONS

### Type "B"



### (B-1) HEIGHT WITH PULSER

Bronze		Polymer	
5/8" x 1/2"	6 7/8"	5/8" x 1/2"	7 3/16"
5/8" x 3/4"	6 7/8"	5/8" x 3/4"	7 3/16"
3/4" x 3/4"	8 1/16"	3/4" x 3/4"	7 11/16"
1"	8 1/2"		
1 1/2" Threaded	10 3/4"		
1 1/2" Flanged	10 3/4"		
2" Threaded	10"		
2" Flanged	10"		

Meter Size	USG Cont/Gal		CU FT Cont/CuFt		M3(litre) Cont/M3	
	Std	Opt	Std	Opt	Std	Opt
5/8" x 1/2"	100	200	748	1496	26.42	52.8
5/8" x 3/4"	100	200	748	1496	26.42	52.8
3/4" x 3/4"	66.6	133.2	498	996	17.59	35.19
1"	24.6	49.2	184	368	6.49	12.99
1 1/2"	11.3	22.6	84.3	168.6	2.98	5.97
2"	5.6	11.1	41.78	83.56	1.47	2.95

Improved Bronze Meter - Type "SFI" (2 Pole)

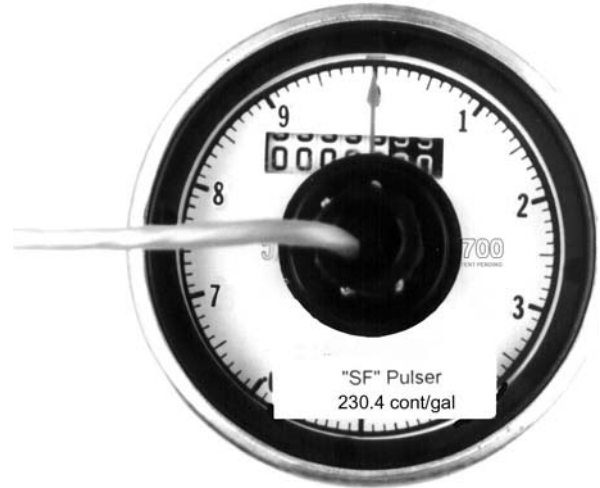
5/8" x 1/2"	115.2	230.4	862	1724	30.43	60.87
5/8" x 3/4"	115.2	230.4	862	1724	30.43	60.87
3/4" x 3/4"	66.6	133.2	498	996	17.59	35.19
1"	30	60	224.4	448.8	7.9	15.84
2"	8.14	16.28	60.88	121.77	2.14	4.29

All these units are magnetically driven which eliminates mis-coupling and leak problems associated with unsealed units (i.e. packing glands).

**Dimensions:** Type "SF" and "SFI"  
Add 2-3/4" to centerline to top dimension from C700 Specification Sheet.

**Materials**

Pulser Can	90% Copper Alloy
Pulser Lens Cover	Cast Acrylic
Semi Cond. Sensor	Magneto Dependent Resistor
Magnet	Plastic Bonded Ferrite (2-4 pole)
Pulse Connection	Three Core PVC Shielded Cable



**Electrical Specifications**

Supply Voltage	6 - 24 VDC
Supply Current (mA max.)	13.5 mA
(mA nominal)	6.0 mA
Output Resistance	10 k Ohms
@ 6V Supply Source Current	0.6 mA
@ 24V Supply Source Current	2.0 mA
Max. Sink Current	20 mA

**Physical**

Water & Dust Protection	NEMA 4
Storage Temperature	-20°C to 70°C -4°F to 158°F
Working Temperature	Flowing Water to 120°F

**Interface Specifications**

Red	(+) Pos. Power Supply
Black	(-) Negative
Clear	Output



Distributed by:

www.watermeters.com

**Daniel L. Jerman Co.**  
275 Railroad Place  
Hackensack, NJ 07601  
Phone 800.654.3733  
Fax 201.487.3953  
International Phone  
201.487.7444