

SPECIFICATION SHEET MODEL 850



DOUBLE CHECK ASSEMBLY

Characteristics

Physical Properties

Size of Mainline	2 1/2", 3", 4", 6", 8", 10"
Max. Working Pressure	175 PSI (1200 KPa)
Hydrostatic Test Press.	350 PSI (2400 KPa)
Temperature Range	32° F to 140° F (0° C to 60° C)
End Connections	Flanged ANSI B16.1 Class 125

Materials

Main Valve Body	Ductile iron Grade 65-45-12
Coating	Fusion epoxy coated internal and external, AWWA C550-90
Shut Off Valves	NRS resilient wedge gate valves AWWA C509
Trim	Bronze
Elastomer Discs	EPDM
Spring	Stainless steel
Clamp	AWWA 606

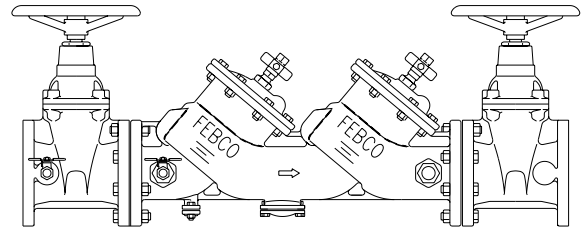
Application

Non-Health Hazard

Options

- UL/FM OS&Y RW Gate Valves
- Wye - Strainer

U.S. Patent No. 4,989,635



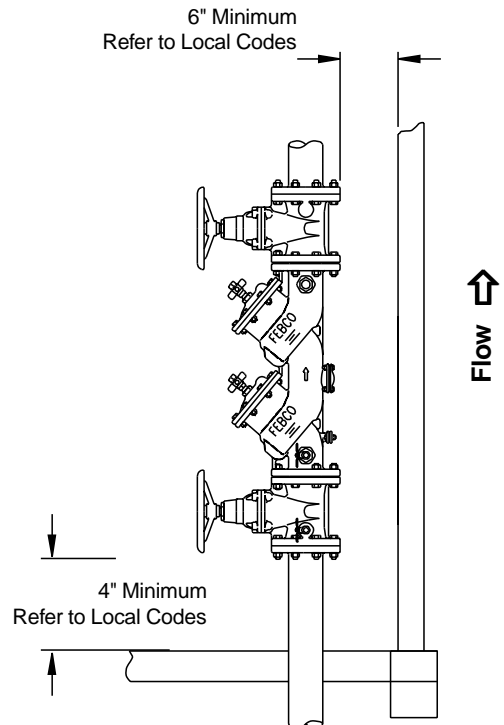
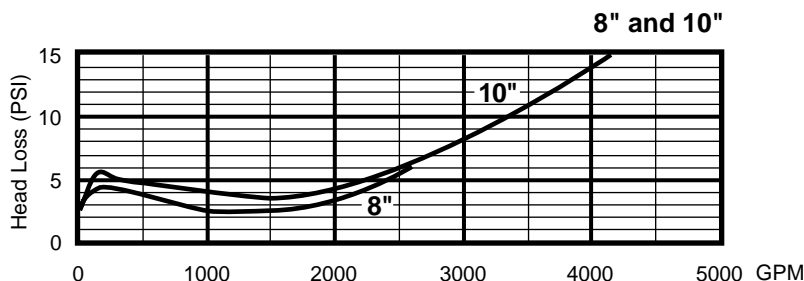
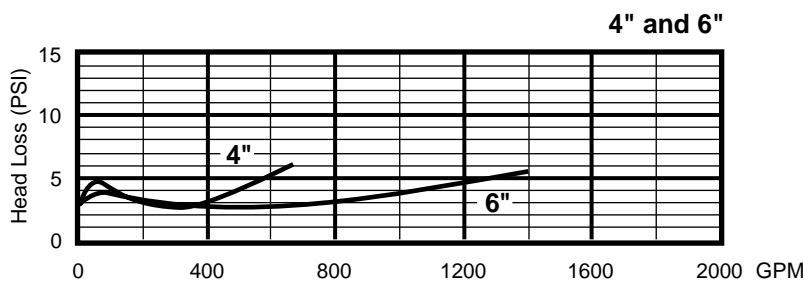
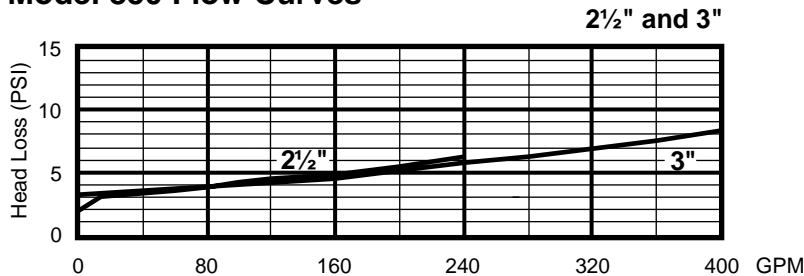
MODEL 850 DOUBLE CHECK ASSEMBLY

Agency Compliance

- Approved by the Foundation for Cross Connection Control and Hydraulic Research at the University of Southern California. - 2 1/2" - 8" (Horizontal & Vertical Up)
- ASSE (Std. 1015) - 2 1/2" - 8" (Horizontal & Vertical Up), 10" (Horizontal)
- ANSI/AWWA (C510-89) - 2 1/2" - 8" (Horizontal & Vertical Up), 10" (Horizontal)
- CAN/CSA (B64.5) - 2 1/2" - 8" (Horizontal & Vertical Up)
- cUL - 2 1/2" - 8" (Horizontal & Vertical Up)
- FM Approved* - 2 1/2" - 8" (Horizontal & Vertical Up)
- UL Listed* - 2 1/2" - 8" (Horizontal & Vertical Up)

* Less gates not FM approved. Less gates not UL listed unless installed with UL listed gate valves.

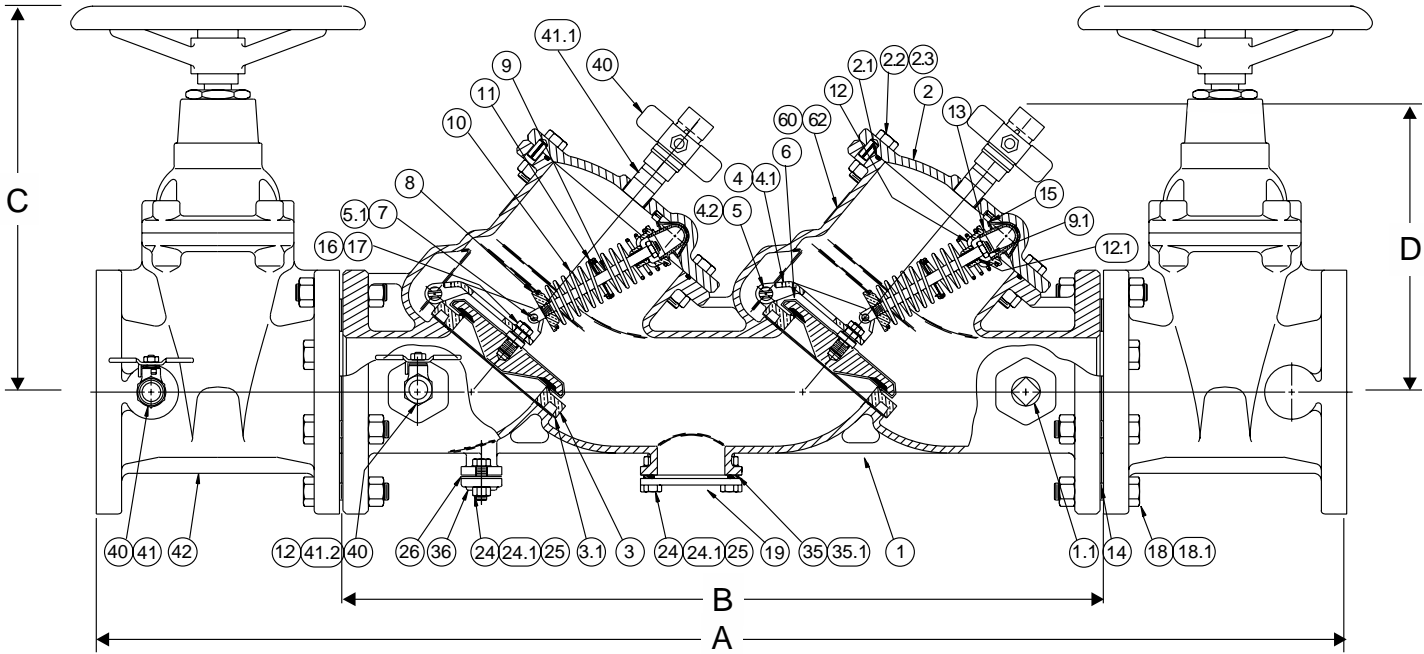
Model 850 Flow Curves



MODEL 850
VERTICAL INSTALLATION

MASTER
series

Model 850



Dimensions and Weights

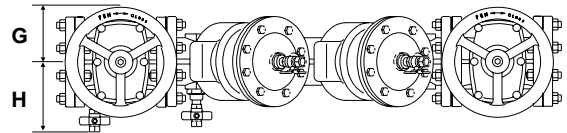
(U.S. - Inches)

SIZE	A	B	C*	D	G	H	NET (lbs.) NRS	NET (lbs.) OS&Y
2 1/2"	40 3/4	25 1/2	12 5/8	10	4 1/2	7 1/8	199	203
3"	41 7/8	25 5/8	12 7/8	10	4 1/2	7 3/8	211	213
4"	46 1/4	28	14 3/8	10 1/8	5 1/2	8 1/8	288	312
6"	56	34 3/4	18 7/8	12 3/4	6 1/2	9 7/8	450	494
8"	65	41 3/4	23 1/2	15 5/8	7	11 1/8	711	773
10"	72 5/8	46 3/8	27 1/2	15 5/8	9	12 3/8	980	1080

(Metric - MM)

SIZE	A	B	C*	D	G	H	NET (kg) NRS	NET (kg) OS&Y
65	1035.05	647.70	320.68	254.00	114.30	180.98	90	92
80	1063.63	650.88	327.03	254.00	114.30	187.33	96	97
100	1174.75	711.20	365.13	257.20	139.70	206.38	131	142
150	1422.40	882.65	479.43	323.90	165.10	250.83	204	224
200	1651.00	1060.45	596.90	396.88	177.80	282.58	323	351
250	1844.68	1177.93	698.50	396.88	228.60	314.33	445	490

850 Top View



* With NRS Gate Valves

Note: Dimensions are nominal. Allowances must be made for normal manufacturing tolerances.

Materials of Construction

ITEM	DESCRIPTION	MATERIALS	ITEM	DESCRIPTION	MATERIALS	ITEM	DESCRIPTION	MATERIALS
1	Body	A536 GR 65-45-12	7	Load Pin	304 SS	24.1	Washer	Plated Steel
1.1	Pipe Plug	Galv. Steel	8	Lwr Spring Retnr	B584 Alloy C83600	25	Bolt	Plated Steel
1.2	Bushing (2 1/2 - 4 only)	Brass	9	Spring Stem	304 SS	26	Gasket	EPDM ASTM D2000
2	Cover	A536 GR 65-45-12	9.1	Elastic Stop Jam Nut	18-8 SS	26	O-Ring	EPDM ASTM D2000
2.1	O-Ring	EPDM ASTM D2000	10	Spring	A313 Type 631 SS	35	Back-Up Ring	Acetal Resin
2.2	Cap Screw	Plated Steel	11	Spring Guide	B130 Alloy C22000	35.1	Cover	B584 Alloy C83600
2.3	Hex Nut	Plated Steel	12	Upr Spring Retnr	B584 Alloy C83600	36	Ball Valve	B584 Alloy C84400
3	Seat Ring	B584 Alloy C83600	12.1	Bushing-Spr. Stem	Acetal Resin	40	Nipple	B584 Alloy C84400
3.1	Gasket	EPDM ASTM D2000	13	Pivot Bearing	B585 Alloy C83600	41	Nipple	Brass
4	Arm	B584 Alloy C83600	14	Flange Gasket	Rubber/Fabric	41.1	Nipple	Brass
4.1	Bushing-Swing Pin	Acetal Resin	15	Bearing Socket	Acetal Resin	41.2	Nipple	Brass
4.2	Swing Pin	304 SS	16	Hex Jam Nut	18-8 SS	42	Gate Valve	AWWA C509
5	Retaining Clip	302 SS	17	Washer	302 SS	60	Id Plate	B36 Alloy C26000
5.1	Retaining Clip	302 SS	18	Flange Nut	Plated Steel	62	Drive Screw	SS
6	Check Disk Assy	EPDM Coated GR, 45 Ductile Iron with type 304 SS stem	18.1	Flange Nut	Plated Steel	70	Clamp	AWWA 606 (10" Only, Not Shown Above)
			19	Cover	A36 Stl Epoxy Coated			
			24	Bolt	Plated Steel			

Distributed by:
Daniel L. Jerman Co.
 275 Railroad Place
 Hackensack, NJ 07601

Phone 800.654.3733
 Fax 201.487.3953
 International Phone 201.487.7444

